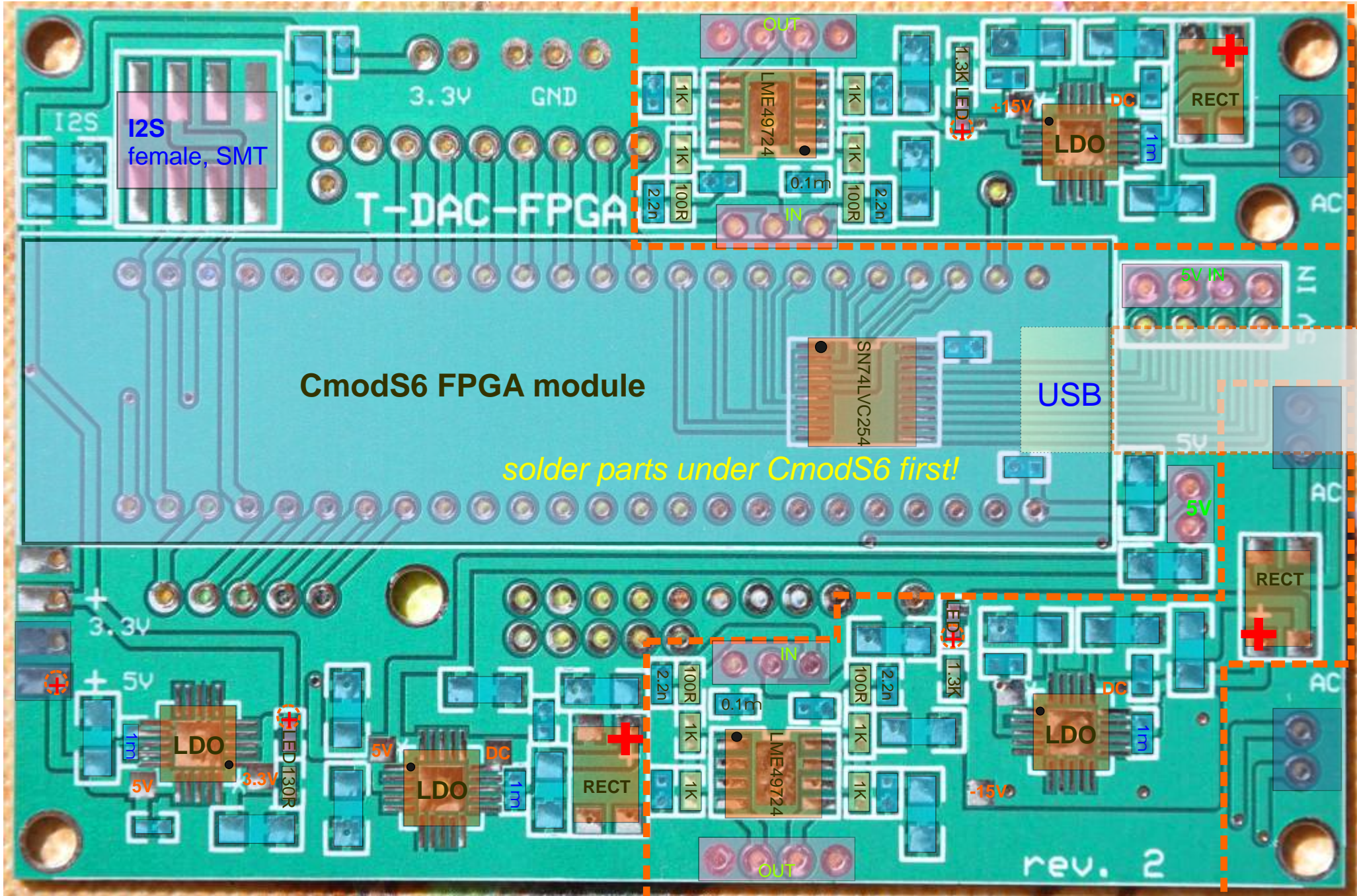


RPi-DAC-FPGA

top side



- 47m
- 1m

XLR line driver

bottom side

