

male/female connectors  
(extend vertically)

upper board

lower board

male/female connectors  
(extend vertically)

DATA female  
LRCK BCK  
DATA GND

XLR

TPA62120A

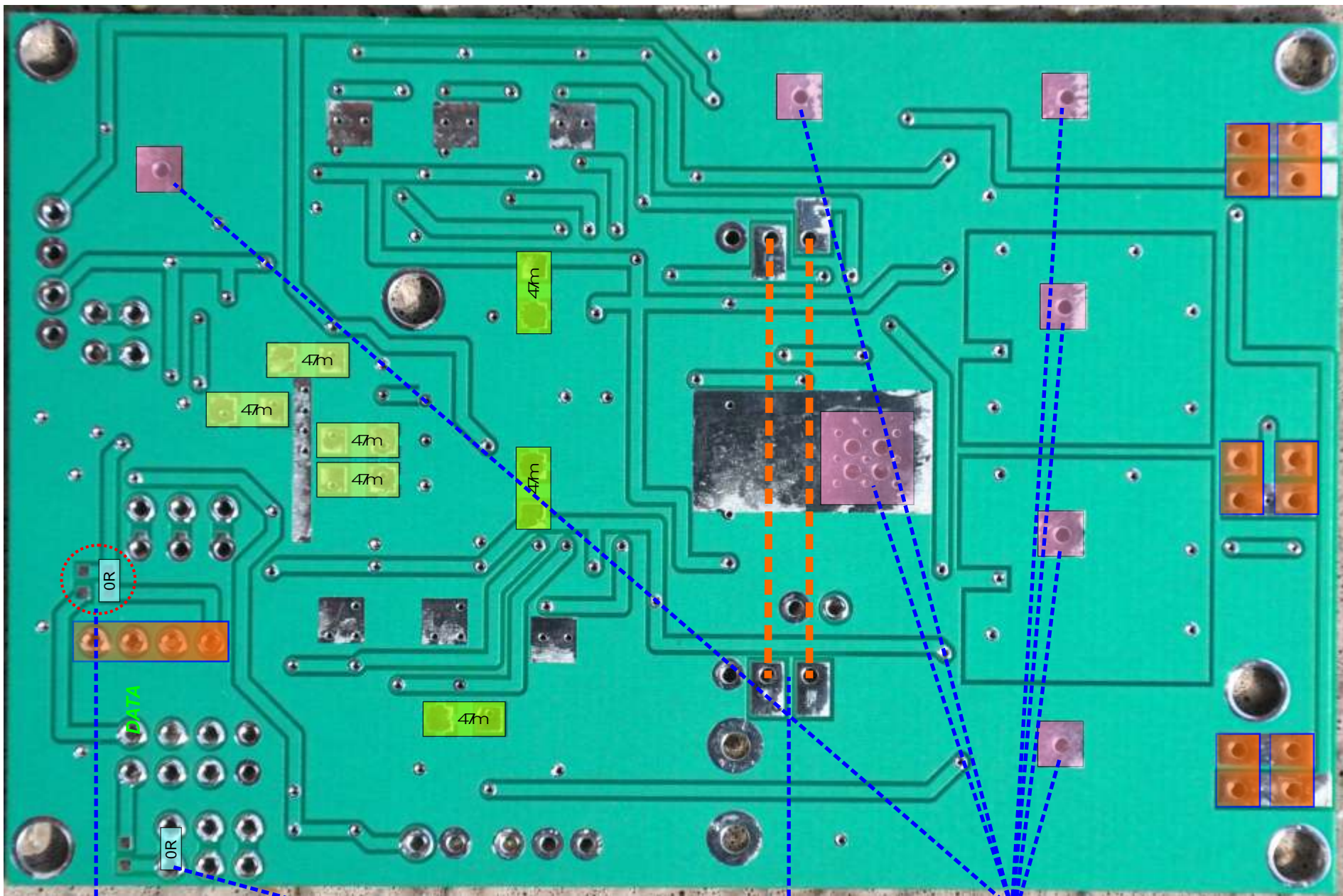
XLR

DUAL-MONO



**OPAMP:** OPA827, LME49990 or OPA211 (not tested)  
**LDO:** TPS7A4700

# RPi-DAC DualMono



a) DualMono  
 b) with FPGA and pre-filter (set jumpers)  
 upper board

wires from lower  
 to upper board

solder power/heat pad

# RPi-DAC DualMono